

REGULATORS

LH 200-3-2



- Korkeapaine säädin - Yksiportainen
- Asennus 200 bar kaasupullo - Tarkka säätelyn
- Sopivat puhtaat kaasut ja seokset, ei syövyttävä
- Kromattua messinkiä

Laboratoriot ja analyysit

Domains of applications

LH-säätimet on suunniteltu korkeapainelähteestä tulevien putkiverkostojen matalapaineiseen kaasunsyöttöön.

Designed for implementation of:

Syövyttämättömät puhtaita kaasuja jopa N60 lukien Alphagaz™ 1 & 2, Ei-syövyttäviä seoksia pitoisuus on suurempi kuin 1 ppm

Designed for:

Suoja- ja prosessikaasuilmapiirin luominen

Except:

hiilivedyt

Specifications

Maximal inlet pressure at 15°C..... 200 bar

Outlet Pressure..... 3 bar

Preset outlet pressure 3 bar

Nominal nitrogen flow 2 Nm³/h*

Set pressure 5 bar

Sisäinen/ulkoinen vuoto nopeus ≤ 3x10⁻⁷ mbar.l/s Heliumia, Käyttölämpötila: -20 °C + 50 °C: ssa.

*Takuu enimmäislähtöpaineella P2 enintään tulopaineeseen P3 = 2P2 + 1 bar.

Materials

Body Kromi messinkipäällysteinen

Seat PCTFE

Ensimmäinen vaihe 316L ruostu-

Main valve..... mattomasta teräksestä

Diaphragm Ruostumaton teräs

Filter Monel® 400

Kupari metalliseos mekanismi, Ø

Pressure gauge 50mm, Seal PA 6.6

Tiiviste EPDM, Lautasventtiin

pronssista, Elin 303 ruostumaton-

Relief valve ta terästä

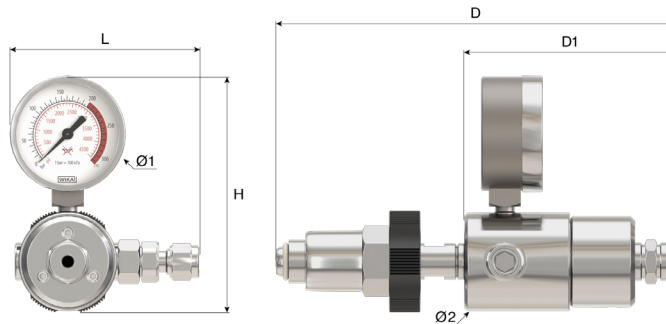
Seal PCTFE, Kupari, PA 6.6

Safety Alert

⚠ Varoitus! Jos käytetään palavien kaasujen, kaikki tyhjennys- ja ylivuoto venttiilit on kerättävä.

Dimensions

Length (L) : 72 mm
 Height (H) : 105 mm
 Depth (D) : 75 mm
 Ø1 : 50 mm
 Net weight : 1 kg



Operating instructions

OP 150 - LH

Connection

Inlet connection: HP sylinteri mukaisen liittimen kaason

Outlet connection: 2 pakoaukkojen G 3/8 BSPP naaras

Relief valve connection: Op-Brass puristusliitin 6mm, Brass Puristusholkit



Products




Product Number	Short Designation	Gas	Inlet Pressure	Outlet Pressure	Flow	Inlet Fitting	Outlet Fitting	Material
123136	REG LH 200-3-2 DIN 10 - CF 6MM	N2	200 bar	3 bar	2 Nm³/h	DIN 477-1 Nr. 10	CF 6mm	Op-Brass
123137	REG LH 200-3-2 DIN 10 - CF 1/8"	N2	200 bar	3 bar	2 Nm³/h	DIN 477-1 Nr. 10	CF 1/8"	Op-Brass
123139	REG LH 200-3-2 DIN 6 - CF 6MM	CO2, O2	200 bar	3 bar	2 Nm³/h	DIN 477-1 Nr. 6	CF 6mm	Op-Brass
123140	REG LH 200-3-2 DIN 6 - CF 1/8"	CO2, O2	200 bar	3 bar	2 Nm³/h	DIN 477-1 Nr. 6	CF 1/8"	Op-Brass
123142	REG LH 200-3-2 DIN 1 - CF 6MM	H2	200 bar	3 bar	2 Nm³/h	DIN 477-1 Nr. 1	CF 6mm	Op-Brass
123143	REG LH 200-3-2 DIN 1 - CF 1/8"	H2	200 bar	3 bar	2 Nm³/h	DIN 477-1 Nr. 1	CF 1/8"	Op-Brass
193430	REG LH 200-3-2 DIN 10	N2	200 bar	3 bar	2 Nm³/h	DIN 477-1 Nr. 10		Op-Brass
193431	REG LH 200-3-2 DIN 6	CO2, O2	200 bar	3 bar	2 Nm³/h	DIN 477-1 Nr. 6		Op-Brass
193432	REG LH 200-3-2 DIN 1	H2	200 bar	3 bar	2 Nm³/h	DIN 477-1 Nr. 1		Op-Brass

Options

	Product Number	Long designation
	16516	CONN. G3/8 BSPP M NIP. F/PIPE Ø 4-6MM
	16521	Connector Cr-Brass G3/8 BSPP Male *Compression fitting 1/8" OD Brass *Flat seal PTCFE
	16522	CONNECTION G 3/8" Male Compression Fitting 6 MM Br

	Product Number	Long designation
	16523	Connector Cr-Brass G3/8 BSPP Male *Compression fitting 1/4" OD Brass *Flat seal PTCFE
	16524	Connector Cr-Brass G3/8 BSPP Male *Compression fitting 10mm OD Brass *Flat seal PTCFE
	16526	Connector Cr-Brass G3/8 BSPP Male *Compression fitting 8mm OD Brass *Flat seal PTCFE

	Product Number	Long designation
	16532	Connector SS G3/8 BSPP Male *Kit N°2 CF 1/8" and 6mm OD SS *Flat seal PTCFE
	16558	Connector SS G3/8 BSPP Male *Compression fitting 6mm OD SS *Flat seal PTCFE
	16562	COMP. FITTING G3/8" 8 MM SS
	16564	CONNECTION G 3/8 BSPP Male - CF 3/8" - Stainless S
	16566	Connector SS G3/8 BSPP Male *Compression fitting 1/8" OD SS *Flat seal PTCFE

	Product Number	Long designation
	16567	Connector SS G3/8 BSPP Male *Compression fitting 10mm OD SS *Flat seal PTCFE
	16569	Connector SS G3/8 BSPP Male *Compression fitting 12mm OD SS *Flat seal PTCFE
	19207	LEAK DETECTOR "1000 BULLES"
	19286	Liitäntä G3/8 BSPP M NIP. Ø 8-10MM BR

Spare parts

Product Number	SP Number	Long designation
123136	17141	FLAT SEAL in PTCFE 14,5x10x2 for outlet port G3/8
	29053	FLAT SEAL in PA 6.6 20x12x2
	167800	KIT of Seals flat PA 6.6 for manometer M10x1 (2 s)
123137	17141	FLAT SEAL in PTCFE 14,5x10x2 for outlet port G3/8
	29053	FLAT SEAL in PA 6.6 20x12x2
	167800	KIT of Seals flat PA 6.6 for manometer M10x1 (2 s)
123139	17141	FLAT SEAL in PTCFE 14,5x10x2 for outlet port G3/8
	167800	KIT of Seals flat PA 6.6 for manometer M10x1 (2 s)
123140	17141	FLAT SEAL in PTCFE 14,5x10x2 for outlet port G3/8
	167800	KIT of Seals flat PA 6.6 for manometer M10x1 (2 s)
123142	15979	Painemittari 0-200+315 Bar Ø 50mm pystysuora M10x1 Ruostumaton teräs
	16014	PRESSURE GAUGE (-1) - 6 Bar Ø 50mm Lateral Entry
	17141	FLAT SEAL in PTCFE 14,5x10x2 for outlet port G3/8
	17203	FLAT SEAL in PTCFE 18x11,8x2 for inlet connection
	29053	FLAT SEAL in PA 6.6 20x12x2
123143	17130	O-RING in EPDM R9 10,5x2,7 mm EP851 for inlet connection brass - type C/B4 & E(NF)
	17141	FLAT SEAL in PTCFE 14,5x10x2 for outlet port G3/8
	17203	FLAT SEAL in PTCFE 18x11,8x2 for inlet connection
	167800	KIT of Seals flat PA 6.6 for manometer M10x1 (2 s)
193430	17141	FLAT SEAL in PTCFE 14,5x10x2 for outlet port G3/8
	29053	FLAT SEAL in PA 6.6 20x12x2

Product Number	SP Number	Long designation
193430	167800	KIT of Seals flat PA 6.6 for manometer M10x1 (2 s)
193431	17141	FLAT SEAL in PTCFE 14,5x10x2 for outlet port G3/8
	167800	KIT of Seals flat PA 6.6 for manometer M10x1 (2 s)
193432	17141	FLAT SEAL in PTCFE 14,5x10x2 for outlet port G3/8
	17203	FLAT SEAL in PTCFE 18x11,8x2 for inlet connection
	167800	KIT of Seals flat PA 6.6 for manometer M10x1 (2 s)