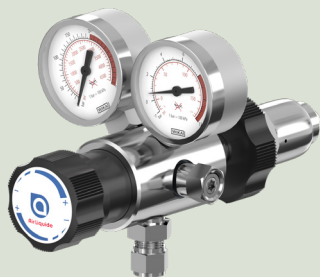


REGULATORS

AHL 200-8-15



- Korkeapaine säädin - Yksiportainen
- Asennus 200 bar kaasupullo - back merkintä
- Sopivat puhtaat kaasut ja seokset, ei syövyttävä
- Kromattua messinkiä

Laboratoriot ja analyysit, Apteekki, teollinen prosessi

Domains of applications

AHL-säätimiä käytetään laboratorioissa ilmakehän luomiseen, pienten tilavuuksien peittämiseen Hyödyllisiä sovelluksissa, joissa tarvitaan suhteellisen suuria virtausnopeuksia.

Designed for implementation of:

Suoja- ja prosessikaasuilmapiirin luominen

Except:

hiilivedyt

Specifications

Maximal inlet pressure at 15°C 200 bar

Outlet Pressure 1 to 8 bar

Nominal nitrogen flow 15 Nm³/h*

Set pressure 11 bar

Sisäinen/ulkoinen vuoto nopeus ≤ 3x10⁻⁷ mbar.l/s Heliumia, Käyttölämpötila: -20 °C + 50 °C:ssa.

*Takuu enimmäislähtöpainella P2 enintään tulopaineeseen P3 = 2P2 + 1 bar.

Materials

Body Kromi messinkipäällysteinen

Seat Messinki

Main valve Messinki PCTFE päällystetty

Diaphragm Ruostumaton teräs

Filter Monel® 400

Pressure gauge Kupari metalliseos mekanismi, Ø

50mm, Seal PA 6.6

Tiiviste EPDM, Poppet ruostumaton terästä, Elin 303 ruostumaton terästä

Relief valve tonta terästä

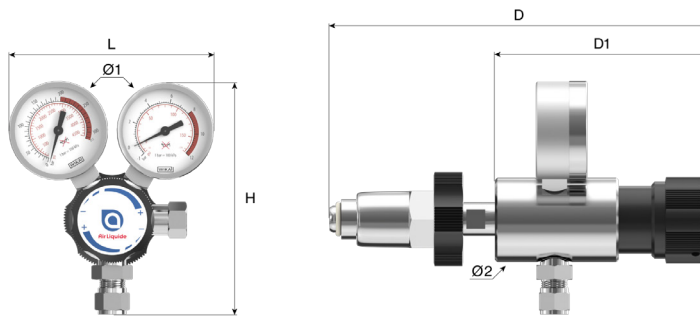
Monel® on tavaramerkki Special Metals Oy.

Safety Alert

⚠ Varoitus! Jos käytetään palavien kaasujen, kaikki tyhjennys- ja ylivuoto venttiilit on kerättävä.

Dimensions

Length (L) : 107 mm
Height (H) : 98 mm
Depth (D) : 185 mm
Ø1 : 50 mm
Ø2 : 45 mm
Net weight : 1.31 kg



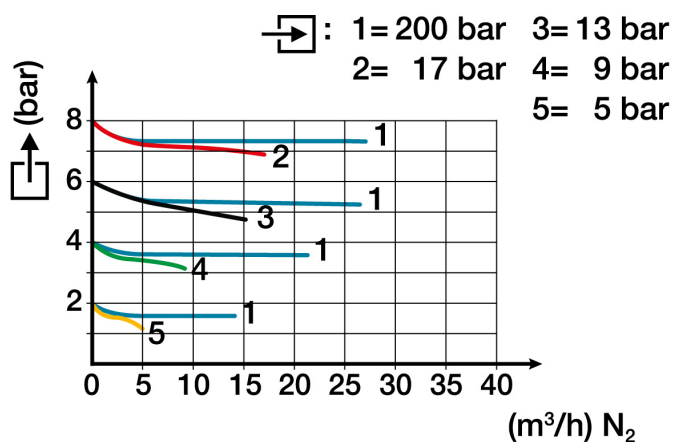
Operating instructions

OP 150 - AHL

Connection

Inlet connection: HP sylinteri mukaisen liittimen kaasun
Outlet connection: 2 pakoaukkojen G 3/8 BSPP naaras
Relief valve connection: Lähtöportin: G 1/4 BSPP naispuolinen




Flow curve



Products

Product Number	Short Designation	Gas	Inlet Pressure	Outlet Pressure	Flow	Inlet Fitting	Inlet Fitting Form	Outlet Fitting	Material
122788	REG AHL 200-8-15 DIN 14 - CF 6MM	Ei-reaktiivinen mix	200 bar	8 bar	15 Nm³/h	DIN 477-1 Nr. 14	Jakoavain Cr-Brass	CF 6mm	Op-Brass
122784	REG AHL 200-8-15 DIN 6 - CF 6MM	CO2, O2	200 bar	8 bar	15 Nm³/h	DIN 477-1 Nr. 6	Jakoavain Cr-Brass	CF 6mm	Op-Brass
122786	REG AHL 200-8-15 DIN 1 - CF 6MM	H2	200 bar	8 bar	15 Nm³/h	DIN 477-1 Nr. 1		CF 6mm	Op-Brass
122782	REG AHL 200-8-15 DIN 10 - CF 6MM	He, N2, Ar	200 bar	8 bar	15 Nm³/h	DIN 477-1 Nr. 10	Jakoavain Cr-Brass	CF 6mm	Op-Brass
122790	REG AHL 200-8-15 DIN 13 - CF 6MM	ilma	200 bar	8 bar	15 Nm³/h	DIN 477-1 Nr. 13	Jakoavain Cr-Brass	CF 6mm	Op-Brass
193366	REG AHL 200-8-15 DIN 10	He, N2, Ar	200 bar	8 bar	15 Nm³/h	DIN 477-1 Nr. 10		G 3/8 BSPP naaras	Op-Brass
193367	REG AHL 200-8-15 DIN 6	CO2, O2	200 bar	8 bar	15 Nm³/h	DIN 477-1 Nr. 6	Jakoavain Cr-Brass	G 3/8 BSPP naaras	Op-Brass
193368	REG AHL 200-8-15 DIN 1	H2	200 bar	8 bar	15 Nm³/h	DIN 477-1 Nr. 1		G 3/8 BSPP naaras	Op-Brass
193370	REG AHL 200-8-15 DIN 13	ilma	200 bar	8 bar	15 Nm³/h	DIN 477-1 Nr. 13		G 3/8 BSPP naaras	Op-Brass
193369	REG AHL 200-8-15 DIN 14	Ei-reaktiivinen mix	200 bar	8 bar	15 Nm³/h	DIN 477-1 Nr. 14	Jakoavain Cr-Brass	G 3/8 BSPP naaras	Op-Brass

Options

	Product Number	Long designation
	16516	CONN. G3/8 BSPP M NIP. F/PIPE Ø 4-6MM
	16521	Connector Cr-Brass G3/8 BSPP Male *Compression fitting 1/8" OD Brass *Flat seal PTCFE
	16522	CONNECTION G 3/8" Male Compression Fitting 6 MM Br
	16523	Connector Cr-Brass G3/8 BSPP Male *Compression fitting 1/4" OD Brass *Flat seal PTCFE
	16524	Connector Cr-Brass G3/8 BSPP Male *Compression fitting 10mm OD Brass *Flat seal PTCFE
	16526	Connector Cr-Brass G3/8 BSPP Male *Compression fitting 8mm OD Brass *Flat seal PTCFE
	16532	Connector SS G3/8 BSPP Male *Kit N°2 CF 1/8" and 6mm OD SS *Flat seal PTCFE
	16558	Connector SS G3/8 BSPP Male *Compression fitting 6mm OD SS *Flat seal PTCFE

	Product Number	Long designation
	16562	COMP. FITTING G3/8" 8 MM SS
	16564	CONNECTION G 3/8 BSPP Male - CF 3/8" - Stainless S
	16566	Connector SS G3/8 BSPP Male *Compression fitting 1/8" OD SS *Flat seal PTCFE
	16567	Connector SS G3/8 BSPP Male *Compression fitting 10mm OD SS *Flat seal PTCFE
	16569	Connector SS G3/8 BSPP Male *Compression fitting 12mm OD SS *Flat seal PTCFE
	19207	LEAK DETECTOR "1000 BULLES"
	19286	Liitäntä G3/8 BSPP M NIP. Ø 8-10MM BR

Spare parts

Product Number	SP Number	Long designation
122788	15969	PAINEMITTARI 0- 200/315 Bar Ø 50mm Pystysuora sisäänmeno M10x1 Messinki-Cr - Runko S.Teräs
	15999	Painemittari -1+3+5 Bar Ø50 Pystysuora liitäntä. M10x1
	17141	FLAT SEAL in PTCFE 14,5x10x2 for outlet port G3/8
	29053	FLAT SEAL in PA 6.6 20x12x2
	29226	FLAT SEAL in PTCFE (Kel-F®) 16x9,2x2
122784	16001	Painemittari -1+8+12 bar Ø50 pysty M10x1
	17141	FLAT SEAL in PTCFE 14,5x10x2 for outlet port G3/8
	167800	KIT of Seals flat PA 6.6 for manometer M10x1 (2 s
122786	15969	PAINEMITTARI 0- 200/315 Bar Ø 50mm Pystysuora sisäänmeno M10x1 Messinki-Cr - Runko S.Teräs
	15999	Painemittari -1+3+5 Bar Ø50 Pystysuora liitäntä. M10x1
	17141	FLAT SEAL in PTCFE 14,5x10x2 for outlet port G3/8
	17203	FLAT SEAL in PTCFE 18x11,8x2 for inlet connection
	29053	FLAT SEAL in PA 6.6 20x12x2
122782	15969	PAINEMITTARI 0- 200/315 Bar Ø 50mm Pystysuora sisäänmeno M10x1 Messinki-Cr - Runko S.Teräs
	17141	FLAT SEAL in PTCFE 14,5x10x2 for outlet port G3/8

Product Number	SP Number	Long designation
122782	29053	FLAT SEAL in PA 6.6 20x12x2
	167800	KIT of Seals flat PA 6.6 for manometer M10x1 (2 s
122790	17141	FLAT SEAL in PTCFE 14,5x10x2 for outlet port G3/8
	18552	PRESSURE GAUGE 0-25 Bar Ø 50mm Vertical Entry G1/4
	29053	FLAT SEAL in PA 6.6 20x12x2
	29187	PACKNING 18X11,8X2 MM NYLON (Bag of 10)
	167800	KIT of Seals flat PA 6.6 for manometer M10x1 (2 s
193366	17141	FLAT SEAL in PTCFE 14,5x10x2 for outlet port G3/8
	29053	FLAT SEAL in PA 6.6 20x12x2
193367	16001	Painemittari -1+8+12 bar Ø50 pysty M10x1
	17141	FLAT SEAL in PTCFE 14,5x10x2 for outlet port G3/8
	167800	KIT of Seals flat PA 6.6 for manometer M10x1 (2 s
193368	16001	Painemittari -1+8+12 bar Ø50 pysty M10x1
	17141	FLAT SEAL in PTCFE 14,5x10x2 for outlet port G3/8

Product Number	SP Number	Long designation
193368	17203	FLAT SEAL in PTCFE 18x11,8x2 for inlet connection
	167800	KIT of Seals flat PA 6.6 for manometer M10x1 (2 s
193370	16001	Painemittari -1+8+12 bar Ø50 pysty M10x1
	17141	FLAT SEAL in PTCFE 14,5x10x2 for outlet port G3/8
	29187	PACKNING 18X11,8X2 MM NYLON (Bag of 10)
	167800	KIT of Seals flat PA 6.6 for manometer M10x1 (2 s
193369	16001	Painemittari -1+8+12 bar Ø50 pysty M10x1
	17141	FLAT SEAL in PTCFE 14,5x10x2 for outlet port G3/8
	29226	FLAT SEAL in PTCFE (Kel-F®) 16x9,2x2
	167800	KIT of Seals flat PA 6.6 for manometer M10x1 (2 s