

REGULATORS

LH 200-10-15



- Line säädin - Yksiportainen
- Asennus 200 bar kaasupullo - Tarkka säätelyn
- Sopivat puhtaat kaasut ja seokset, ei syövyttävä
- Kromattua messinkiä

Laboratoriot ja analyysit

Domains of applications

LH-säätimet on suunniteltu korkeapainelähteestä tulevien putkiverkostojen matalapaineiseen kaasunsyöttöön.

Designed for implementation of:

Syövyttämättömät puhtaita kaasuja jopa N60 lukien Alphagaz™ 1 & 2, Ei-syövyttäviä seoksia pitoisuus on suurempi kuin 1 ppm

Designed for:

Suoja- ja prosessikaasuilmapiirin luominen

Except:

hiilivedyt

Specifications

Maximal inlet pressure at 15°C 200 bar
Outlet Pressure 10 bar
Preset outlet pressure 10 bar
Nominal nitrogen flow 15 Nm³/h*
Set pressure 16 bar

Sisäinen/ulkoinen vuoto nopeus ≤ 3x10⁻⁷ mbar.l/s Heliumia, Käyttölämpötila: -20 °C + 50 °C: ssa.

*Takuu enimmäislähtöpaineella P2 enintään tulopaineeseen P3 = 2P2 + 1 bar.

Materials

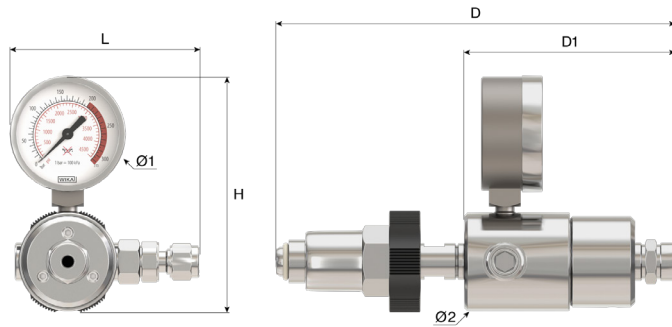
Body Kromi messinkipäällysteinen
Seat PCTFE
Ensimmäinen vaihe 316L ruostumattomasta teräksestä
Main valve Ruostumaton teräs
Diaphragm Monel® 400
Filter Kupari metalliseos mekanismi, Ø
Pressure gauge 50mm, Seal PA 6.6
Tiiviste EPDM, Lautasventtiilin pronssista, Elin 303 ruostumaton-
Relief valve ta terästä
Seal PCTFE, Kupari, PA 6.6

Safety Alert

⚠ Varoitus! Jos käytetään palavien kaasujen, laitteiden tulee ehdottomasti olla maadoitettu.

Dimensions

Length (L) : 72 mm
 Height (H) : 105 mm
 Depth (D) : 75 mm
 Ø1 : 50 mm
 Net weight : 1 kg



Operating instructions

OP 150 - LH

Connection

Inlet connection: HP sylinteri mukaisen liittimen kaason
Outlet connection: 2 pakoaukkojen G 3/8 BSPP naaras
Relief valve connection: Op-Brass puristusliitin 6mm, Brass Puristusholkit




Products


Product Number	Short Designation	Gas	Inlet Pressure	Outlet Pressure	Flow	Inlet Fitting	Outlet Fitting	Material
123145	REG LH 200-10-15 DIN 10 - CF 6MM	N2	200 bar	10 bar	15 Nm³/h	DIN 477-1 Nr. 10	CF 6mm	Op-Brass
123147	REG LH 200-10-15 DIN 6 - CF 6MM	CO2, O2	200 bar	10 bar	15 Nm³/h	DIN 477-1 Nr. 6	CF 6mm	Op-Brass
123149	REG LH 200-10-15 DIN 1 - CF 6MM	H2	200 bar	10 bar	15 Nm³/h	DIN 477-1 Nr. 1	CF 6mm	Op-Brass
193433	REG LH 200-10-15 DIN 10	N2	200 bar	10 bar	15 Nm³/h	DIN 477-1 Nr. 10		Op-Brass
193434	REG LH 200-10-15 DIN 6	CO2, O2	200 bar	10 bar	15 Nm³/h	DIN 477-1 Nr. 6		Op-Brass
193435	REG LH 200-10-15 DIN 1	H2	200 bar	10 bar	15 Nm³/h	DIN 477-1 Nr. 1		Op-Brass

Options

	Product Number	Long designation
	16516	CONN. G3/8 BSPP M NIP. F/PIPE Ø 4-6MM
	16521	Connector Cr-Brass G3/8 BSPP Male *Compression fitting 1/8" OD Brass *Flat seal PTCFE
	16522	CONNECTION G 3/8" Male Compression Fitting 6 MM Br
	16523	Connector Cr-Brass G3/8 BSPP Male *Compression fitting 1/4" OD Brass *Flat seal PTCFE
	16524	Connector Cr-Brass G3/8 BSPP Male *Compression fitting 10mm OD Brass *Flat seal PTCFE

	Product Number	Long designation
	16526	Connector Cr-Brass G3/8 BSPP Male *Compression fitting 8mm OD Brass *Flat seal PTCFE
	16532	Connector SS G3/8 BSPP Male *Kit N°2 CF 1/8" and 6mm OD SS *Flat seal PTCFE
	16558	Connector SS G3/8 BSPP Male *Compression fitting 6mm OD SS *Flat seal PTCFE
	16562	COMP. FITTING G3/8" 8 MM SS
	16564	CONNECTION G 3/8 BSPP Male - CF 3/8" - Stainless S

	Product Number	Long designation
	16566	Connector SS G3/8 BSPP Male *Compression fitting 1/8" OD SS *Flat seal PTCFE
	16567	Connector SS G3/8 BSPP Male *Compression fitting 10mm OD SS *Flat seal PTCFE
	16569	Connector SS G3/8 BSPP Male *Compression fitting 12mm OD SS *Flat seal PTCFE

	Product Number	Long designation
	19207	LEAK DETECTOR "1000 BULLES"
	19286	Liitäntä G3/8 BSPP M NIP. Ø 8-10MM BR

Spare parts

Product Number	SP Number	Long designation
123145	17141	FLAT SEAL in PTCFE 14,5x10x2 for outlet port G3/8
	29053	FLAT SEAL in PA 6.6 20x12x2
	167800	KIT of Seals flat PA 6.6 for manometer M10x1 (2 s
123147	17141	FLAT SEAL in PTCFE 14,5x10x2 for outlet port G3/8
	167800	KIT of Seals flat PA 6.6 for manometer M10x1 (2 s
123149	15979	Painemittari 0-200+315 Bar Ø 50mm pystysuora M10x1 Ruostumaton teräs
	15986	PRESSURE GAUGE (-1) - 12 Bar Ø 50mm S.Steel - Lat
	17141	FLAT SEAL in PTCFE 14,5x10x2 for outlet port G3/8
	17203	FLAT SEAL in PTCFE 18x11,8x2 for inlet connection
	29053	FLAT SEAL in PA 6.6 20x12x2
193433	17141	FLAT SEAL in PTCFE 14,5x10x2 for outlet port G3/8
	29053	FLAT SEAL in PA 6.6 20x12x2
	167800	KIT of Seals flat PA 6.6 for manometer M10x1 (2 s
193434	17141	FLAT SEAL in PTCFE 14,5x10x2 for outlet port G3/8
	167800	KIT of Seals flat PA 6.6 for manometer M10x1 (2 s
193435	17141	FLAT SEAL in PTCFE 14,5x10x2 for outlet port G3/8
	17203	FLAT SEAL in PTCFE 18x11,8x2 for inlet connection
	167800	KIT of Seals flat PA 6.6 for manometer M10x1 (2 s