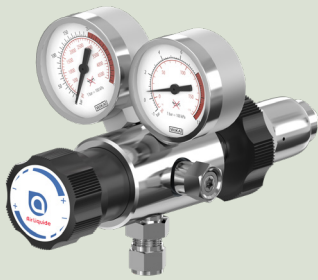


REGULATORS

AHL 200-16-25



- Korkeapaine säädin - Yksiportainen
- Asennus 200 bar kaasupullo - back merkintä
- Sopivat puhtaat kaasut ja seokset, ei syövyttävä
- Kromattua messinkiä

Laboratoriot ja analyysit, Apteekki, teollinen prosessi

Domains of applications

AHL-säätimiä käytetään laboratorioissa ilmakehän luomiseen, pienten kapasiteettien peittämiseen Hyödyllisiä sovelluksissa, joissa tarvitaan suhteellisen suuria virtausnopeuksia.

Designed for implementation of:

Syövyttämättömät puhtaita kaasuja jopa N60 lukien Alphagaz™ 1 & 2, Ei-syövyttäviä seoksia pitoisuus on suurempi kuin 1 ppm

Except:
hiilivedyt

Specifications

Maximal inlet pressure at 15°C 200 bar
Outlet Pressure 1 to 16 bar
Nominal nitrogen flow 25 Nm³/h*
Set pressure 24 bar

Sisäinen/ulkoinen vuoto nopeus ≤ 3x10⁻⁷ mbar.l/s Heliumia, Käyttölämpötila: -20 °C + 50 °C: ssa.

*Takuu enimmäislähtöpaineella P2 enintään tulopaineeseen P3 = 2P2 + 1 bar.

Materials

Body Kromi messinkipäällysteinen
Seat Messinki
Main valve Messinki PCTFE päällystetty
Diaphragm Ruostumaton teräs
Filter Monel® 400
Kupari metalliseos mekanismi, Ø
Pressure gauge 50mm, Seal PA 6.6
Tiiviste EPDM, Lautasventtiilin
pronssista, Elin 303 ruostumaton-
Relief valve ta terästä

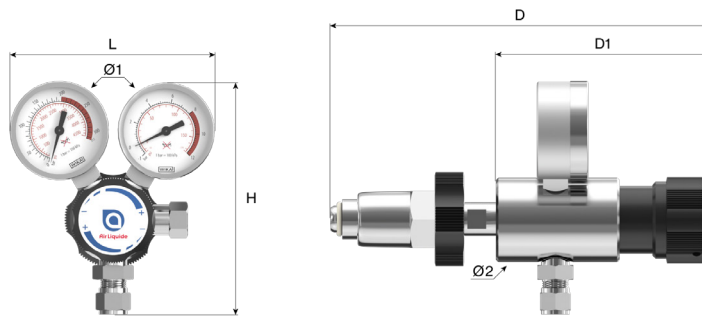
Monel® on tavaramerkki Special Metals Oy.

Safety Alert

⚠ Varoitus! Jos käytetään palavien kaasujen, kaikki tyhjennys- ja ylivuoto venttiilit on kerättävä.

Dimensions

Length (L) : 107 mm
Height (H) : 98 mm
Depth (D) : 185 mm
Depth (D1) : 110 mm
Ø1 : 50 mm
Ø2 : 45 mm
Net weight : 1.31 kg



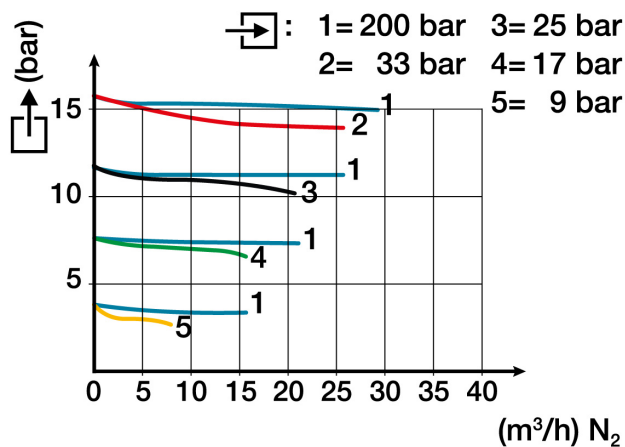
Operating instructions

OP 150 - AHL

Connection

Inlet connection: HP sylinteri mukaisen liittimen kaasun
Outlet connection: 2 pakoaukkojen G 3/8 BSPP naaras
Relief valve connection: Lähtöportin: G 1/4 BSPP naispuolinen




Flow curve



Products

Product Number	Short Designation	Gas	Inlet Pressure	Outlet Pressure	Flow	Inlet Fitting	Inlet Fitting Form	Outlet Fitting	Material
122792	REG AHL 200-16-25 DIN 10 - CF 6MM	He, N2, Ar	200 bar	16 bar	25 Nm³/h	DIN 477-1 Nr. 10	Jakoavain Cr-Brass	CF 6mm	Messinki
122796	REG AHL 200-16-25 DIN 1 - CF 6MM	H2	200 bar	16 bar	25 Nm³/h	DIN 477-1 Nr. 1	Jakoavain Cr-Brass	CF 6mm	Messinki
122794	REG AHL 200-16-25 DIN 6 - CF 6MM	CO2, O2	200 bar	16 bar	25 Nm³/h	DIN 477-1 Nr. 6		CF 6mm	Messinki
122800	REG AHL 200-16-25 DIN 13 - CF 6MM	ilma	200 bar	16 bar	25 Nm³/h	DIN 477-1 Nr. 13	Jakoavain Cr-Brass	CF 6mm	Messinki
122798	REG AHL 200-16-25 DIN 14 - CF 6MM	Ei-reaktiivinen mix	200 bar	16 bar	25 Nm³/h	DIN 477-1 Nr. 14	Jakoavain Cr-Brass	CF 6mm	Messinki
193371	REG AHL 200-16-25 DIN 10	He, N2, Ar	200 bar	16 bar	25 Nm³/h	DIN 477-1 Nr. 10		G 3/8 BSPP naaras	Messinki
193373	REG AHL 200-16-25 DIN 1	H2	200 bar	16 bar	25 Nm³/h	DIN 477-1 Nr. 1		G 3/8 BSPP naaras	Messinki
193372	REG AHL 200-16-25 DIN 6	CO2, O2	200 bar	16 bar	25 Nm³/h	DIN 477-1 Nr. 6	Jakoavain Cr-Brass	G 3/8 BSPP naaras	Messinki
193374	REG AHL 200-16-25 DIN 14	Ei-reaktiivinen mix	200 bar	16 bar	25 Nm³/h	DIN 477-1 Nr. 14	Jakoavain Cr-Brass	G 3/8 BSPP naaras	Messinki
193375	REG AHL 200-16-25 DIN 13	ilma	200 bar	16 bar	25 Nm³/h	DIN 477-1 Nr. 13		G 3/8 BSPP naaras	Messinki

Options

	Product Number	Long designation
	16516	CONN. G3/8 BSPP M NIP. F/PIPE Ø 4-6MM
	16521	Connector Cr-Brass G3/8 BSPP Male *Compression fitting 1/8" OD Brass *Flat seal PTCFE
	16522	CONNECTION G 3/8" Male Compression Fitting 6 MM Br
	16523	Connector Cr-Brass G3/8 BSPP Male *Compression fitting 1/4" OD Brass *Flat seal PTCFE
	16524	Connector Cr-Brass G3/8 BSPP Male *Compression fitting 10mm OD Brass *Flat seal PTCFE
	16526	Connector Cr-Brass G3/8 BSPP Male *Compression fitting 8mm OD Brass *Flat seal PTCFE
	16532	Connector SS G3/8 BSPP Male *Kit N°2 CF 1/8" and 6mm OD SS *Flat seal PTCFE
	16558	Connector SS G3/8 BSPP Male *Compression fitting 6mm OD SS *Flat seal PTCFE

	Product Number	Long designation
	16562	COMP. FITTING G3/8" 8 MM SS
	16564	CONNECTION G 3/8 BSPP Male - CF 3/8" - Stainless S
	16566	Connector SS G3/8 BSPP Male *Compression fitting 1/8" OD SS *Flat seal PTCFE
	16567	Connector SS G3/8 BSPP Male *Compression fitting 10mm OD SS *Flat seal PTCFE
	16569	Connector SS G3/8 BSPP Male *Compression fitting 12mm OD SS *Flat seal PTCFE
	19207	LEAK DETECTOR "1000 BULLES"
	19286	Liitäntä G3/8 BSPP M NIP. Ø 8-10MM BR

Spare parts

Product Number	SP Number	Long designation
122792	15969	PAINEMITTARI 0- 200/315 Bar Ø 50mm Pystysuora sisäänmeno M10x1 Messinki-Cr - Runko S.Teräs
	16008	Painemittari 0+0,1+0,16 BAR Ø50 Pystysuora liitäntä. M10x1
	17141	FLAT SEAL in PTCFE 14,5x10x2 for outlet port G3/8
	29053	FLAT SEAL in PA 6.6 20x12x2
122796	15969	PAINEMITTARI 0- 200/315 Bar Ø 50mm Pystysuora sisäänmeno M10x1 Messinki-Cr - Runko S.Teräs
	16008	Painemittari 0+0,1+0,16 BAR Ø50 Pystysuora liitäntä. M10x1
	17141	FLAT SEAL in PTCFE 14,5x10x2 for outlet port G3/8
	17203	FLAT SEAL in PTCFE 18x11,8x2 for inlet connection
	29053	FLAT SEAL in PA 6.6 20x12x2
122794	16004	PRESSURE GAUGE 0- 25 Bar Ø 50mm Lateral Entry M10
	17141	FLAT SEAL in PTCFE 14,5x10x2 for outlet port G3/8
	167800	KIT of Seals flat PA 6.6 for manometer M10x1 (2 s
122800	17141	FLAT SEAL in PTCFE 14,5x10x2 for outlet port G3/8
	18547	PRESSURE GAUGE 0-100 Bar Ø 50mm Lateral Entry G1/
	29053	FLAT SEAL in PA 6.6 20x12x2

Product Number	SP Number	Long designation
122800	29187	PACKNING 18X11,8X2 MM NYLON (Bag of 10)
	167800	KIT of Seals flat PA 6.6 for manometer M10x1 (2 s
122798	16004	PRESSURE GAUGE 0- 25 Bar Ø 50mm Lateral Entry M10
	17141	FLAT SEAL in PTCFE 14,5x10x2 for outlet port G3/8
	29226	FLAT SEAL in PTCFE (Kel-F®) 16x9,2x2
	167800	KIT of Seals flat PA 6.6 for manometer M10x1 (2 s
193371	15979	Painemittari 0-200+315 Bar Ø 50mm pystysuora M10x1 Ruostumaton teräs
	16015	PRESSURE GAUGE (-1) - 15 Bar Ø 50mm Lateral Entry
	17141	FLAT SEAL in PTCFE 14,5x10x2 for outlet port G3/8
	29053	FLAT SEAL in PA 6.6 20x12x2
	15979	Painemittari 0-200+315 Bar Ø 50mm pystysuora M10x1 Ruostumaton teräs
193373	16019	PRESSURE GAUGE (-1) - 1,5 Bar Ø 50mm Lateral Entr
	17141	FLAT SEAL in PTCFE 14,5x10x2 for outlet port G3/8
	17203	FLAT SEAL in PTCFE 18x11,8x2 for inlet connection
	29053	FLAT SEAL in PA 6.6 20x12x2

Product Number	SP Number	Long designation
193372	16004	PRESSURE GAUGE 0- 25 Bar Ø 50mm Lateral Entry M10
	17141	FLAT SEAL in PTFE 14,5x10x2 for outlet port G3/8
	167800	KIT of Seals flat PA 6.6 for manometer M10x1 (2 s)
193374	16004	PRESSURE GAUGE 0- 25 Bar Ø 50mm Lateral Entry M10
	17141	FLAT SEAL in PTFE 14,5x10x2 for outlet port G3/8
	29226	FLAT SEAL in PTFE (Kel-F®) 16x9,2x2
	167800	KIT of Seals flat PA 6.6 for manometer M10x1 (2 s)
193375	16004	PRESSURE GAUGE 0- 25 Bar Ø 50mm Lateral Entry M10
	17141	FLAT SEAL in PTFE 14,5x10x2 for outlet port G3/8
	29187	PACKNING 18X11,8X2 MM NYLON (Bag of 10)
	167800	KIT of Seals flat PA 6.6 for manometer M10x1 (2 s)